



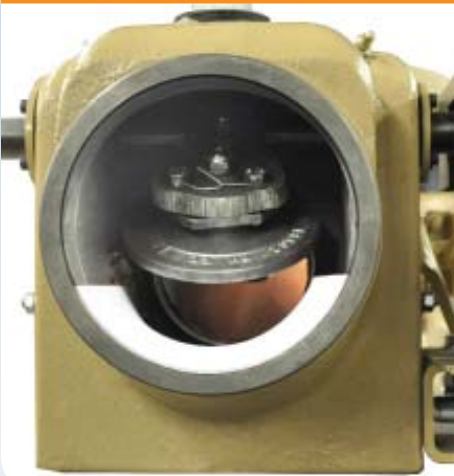
TIGER™ Valve

In response to customer demand, the United Conveyor Corporation (UCC) TIGER™ Valve was designed as a superior replacement for Allen-Sherman-Hoff Type "C" and "E" slide gates and the ASHandler® valve used in non-UCC systems. Utilizing proven UCC swing-disc technology, the TIGER Valve offers superior performance due to its improved sealing technology, extended service life and ease of maintenance. With over 1,500 installations, the TIGER Valve is a proven drop-in replacement option.

Proven UCC Swing Disc Technology



Single-Piece Ceramic Liner



FEATURES

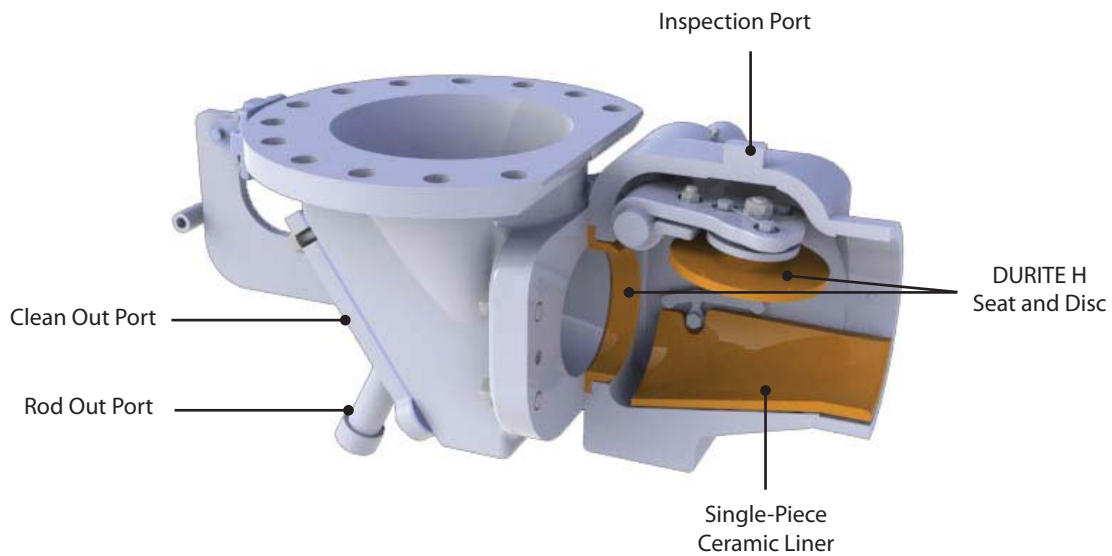
- Inlet Size and Type: 8" or 12", universal bolt pattern
- Outlet Size and Type: 6" standard (4" or 5" optional), plain end
- Maximum Operating Temperature: 750°F
- Throat Size: 4½"
- Seat Closing Force: 550 lbs
- Actuator Operating Pressure: 80 - 100 psi

ADVANTAGES

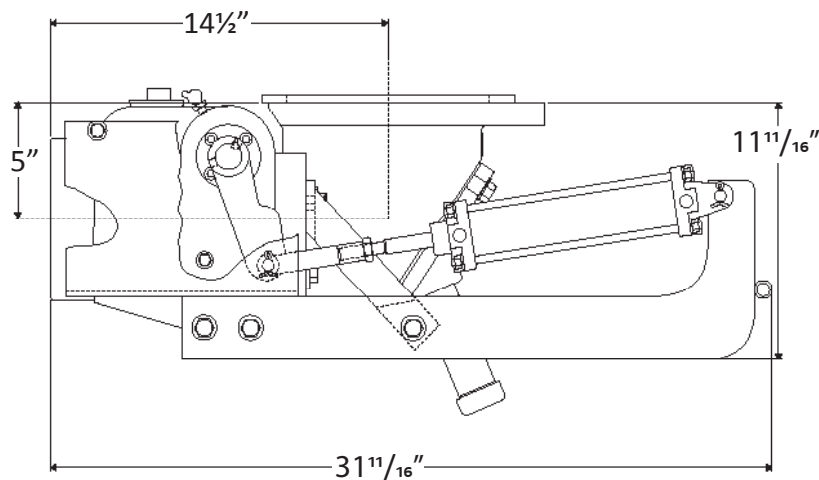
- **Superior Sealing**
 - › Provides 10x the closing force compared to slide gate designs for reliable sealing
 - › Self-adjusting, spring-mounted ball pivot with machined flat disc provides optimal sealing performance
 - › Sharp edged seat cuts through conveying material for proper sealing
 - › Optional UCC Locking Flange Clamp provides superior connection over sleeve-type couplings
- **Longer Service Life**
 - › DURITE® H (high-chrome) disc swings up and out of material flow to minimize wear and optimize flow
 - › Single-piece, silicon carbide ceramic liner protects valve body from excessive wear
 - › Greased sleeve bearing and packing design prevent leakage and extend wear life of the shaft and packing
- **Simple and Easy Maintenance**
 - › Inspection port allows in-line observation of the valve seat and disc condition
 - › Clean out port allows removal of foreign objects, even broken precipitator rappers
 - › Rod out port allows for easy maintenance and accessibility

TIGER™ VALVE

DESIGN



KEY DIMS



ORDERING INFORMATION

Please reference UCC Drawing # 5-1835-7 for current product information.

UNITED CONVEYOR CORPORATION

USA • GERMANY • INDIA • THAILAND • CHINA

contactucc@unitedconveyor.com

www.unitedconveyor.com